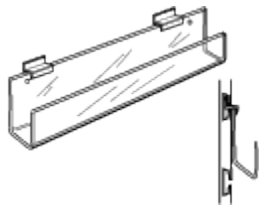


Acrylic "J Rack" shelves

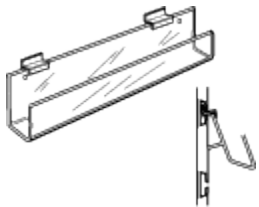


No tilt – sloping bottom allows cards to naturally tilt back

Wall Mount: 1270 – 1273 – 1275 – 1278 – 1291 - 1293

Slatwall no Tilt: 2270 – 2273 – 2275 – 2278 – 2291 – 2293

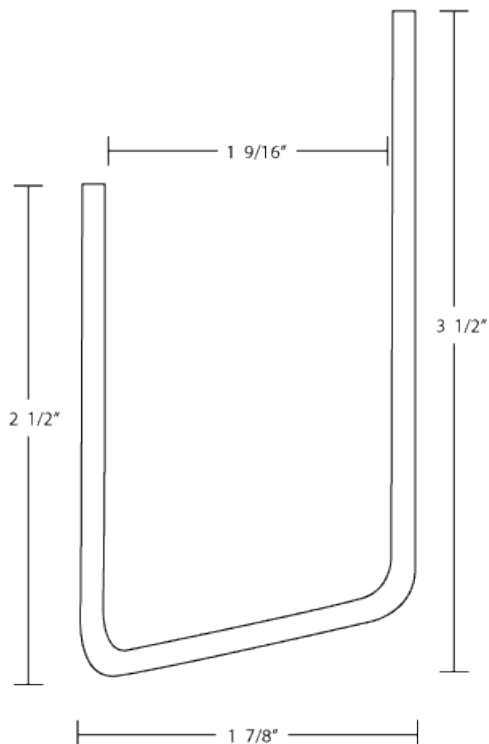
Gridwall no Tilt: 3370 – 3273 – 3275 – 3278



w/ tilt – sloping bottom allows cards to naturally tilt back

Slatwall w/ Tilt: 2370 – 2373 – 2375 – 2378 – 2391 – 2393

Gridwall w/ Tilt 3375 – 3378



- Please note that with all hand fabricated items there may be variation in dimensions